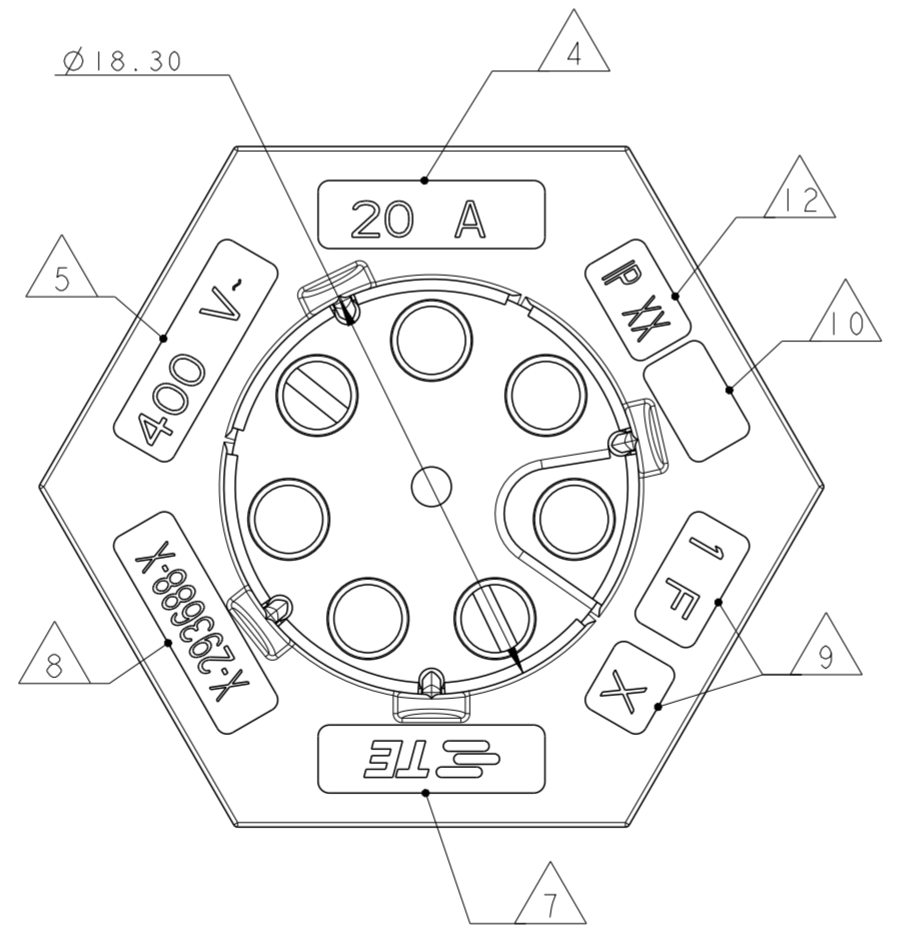
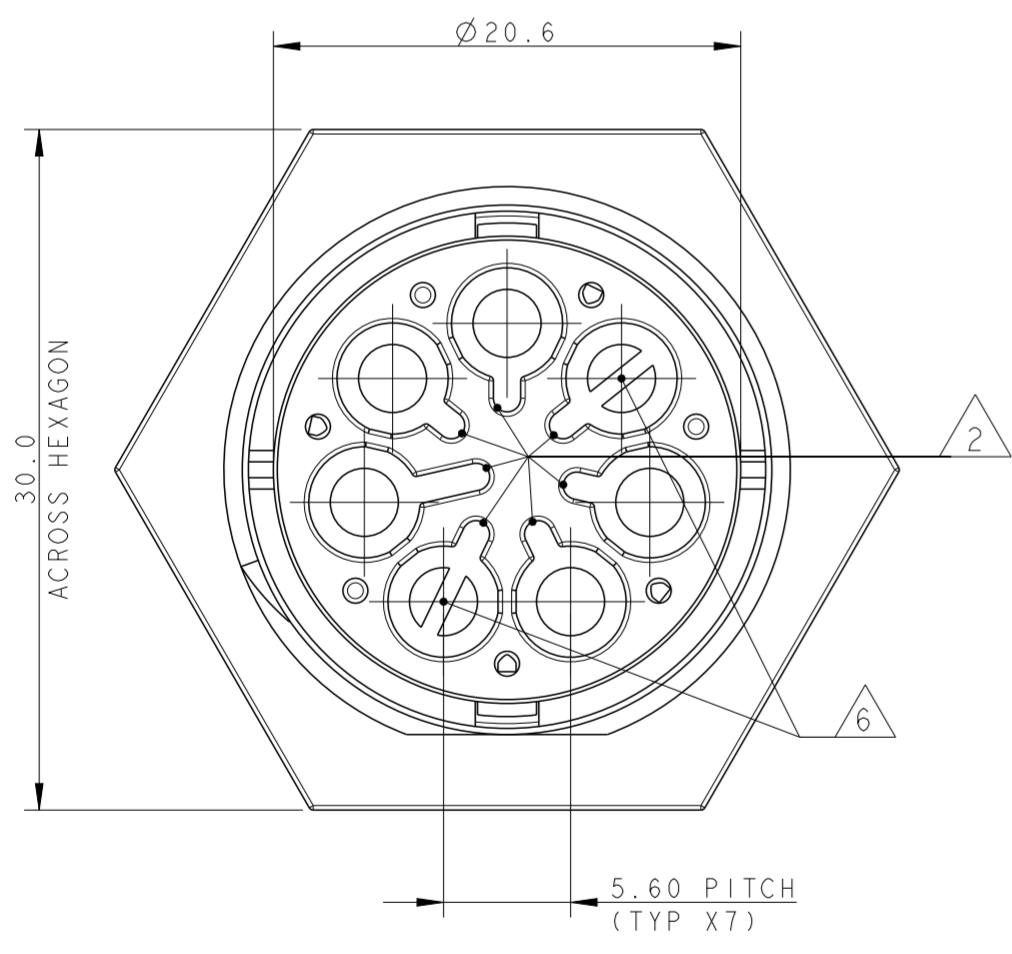
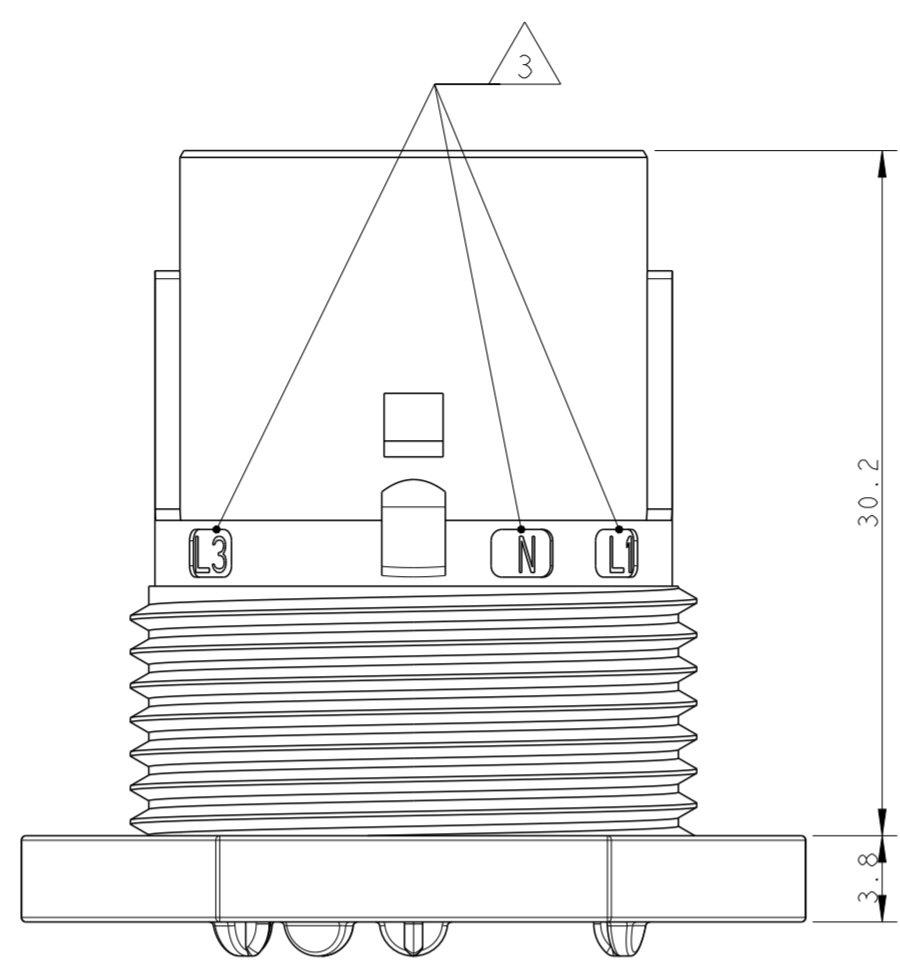
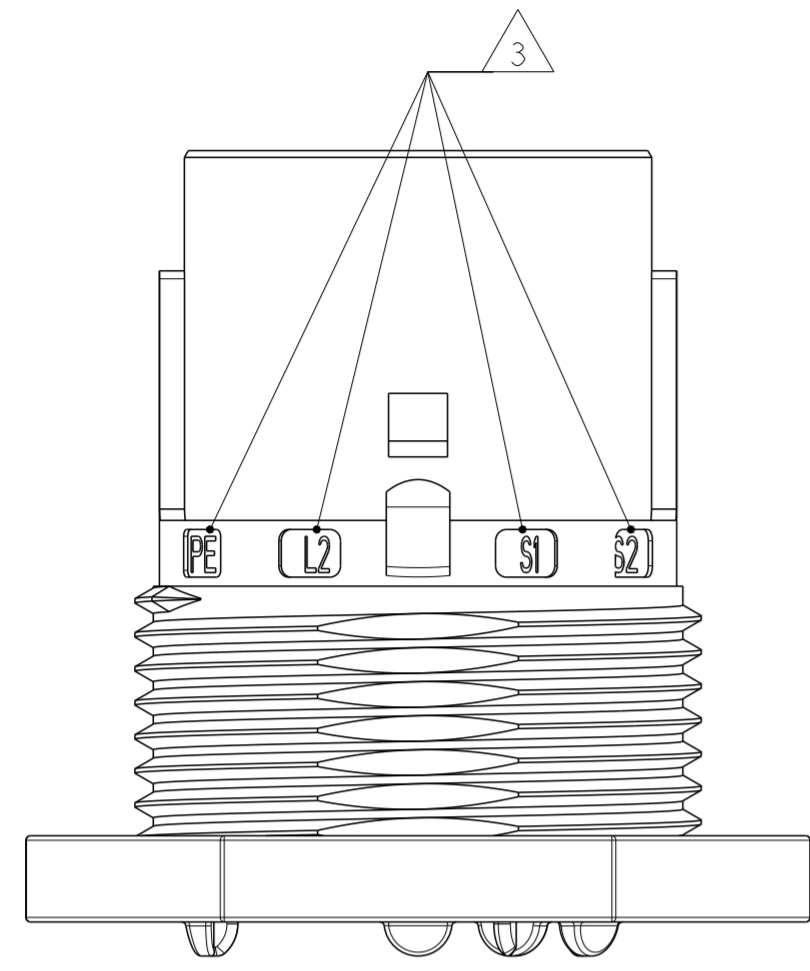


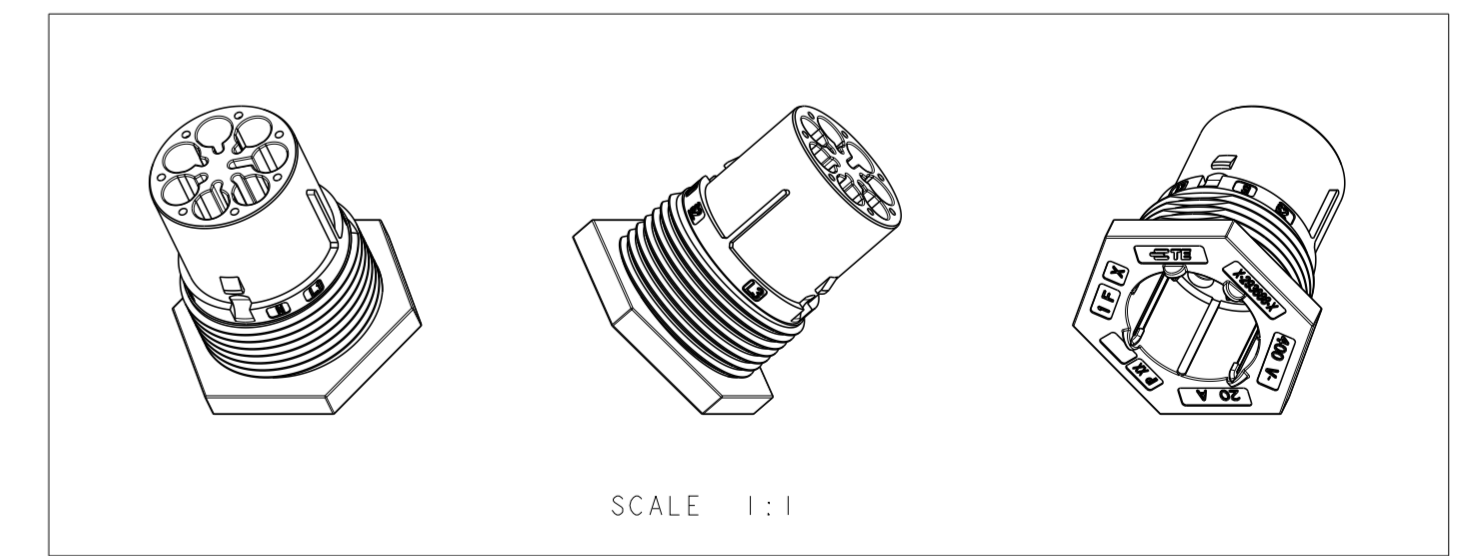
THIS DRAWING IS UNPUBLISHED. RELEASED FOR PUBLICATION 2011
 © COPYRIGHT 2011 ALL RIGHTS RESERVED.

LOC		DIST		REVISIONS			
P	LTR	DATE	DWN	APVD	DESCRIPTION		
4		02MAY2013	KR	JC	REVISED		
5		22JUL2013	MZ	JC	UPDATED		
6		09AUG2013	KR	JC	REVISED LATCH SHAPE		
A		13NOV2013	MZ	JC	PARTS RELEASED FOR PRODUCTION		



NOTES:

- 1 MATERIAL: PA GF (NATURAL AND BLACK COLOUR)
 - 2 ALL POLARIZATION KEYS SHOWN FOR REF ONLY
 - 3 WAYS I.D.
 - 4 CURRENT RATING
 - 5 VOLTAGE RATING
 - 6 RIB CLOSING CAVITIES BY CHANGE OVER
 - 7 TE LOGO
 - 8 TE PART NUMBER
 - 9 DATA CODE AND CAVITY I.D.
 - 10 AREA FOR AGENCIES APPROVAL LOGO
- 11) SEE C-DRAWING 293682 (LOCKING CAP) TO GET IP 40
- 12 IP CODE
 - 13 POLARISATION KEY "TYPE D" SUITABLE FOR DALI APPLICATION



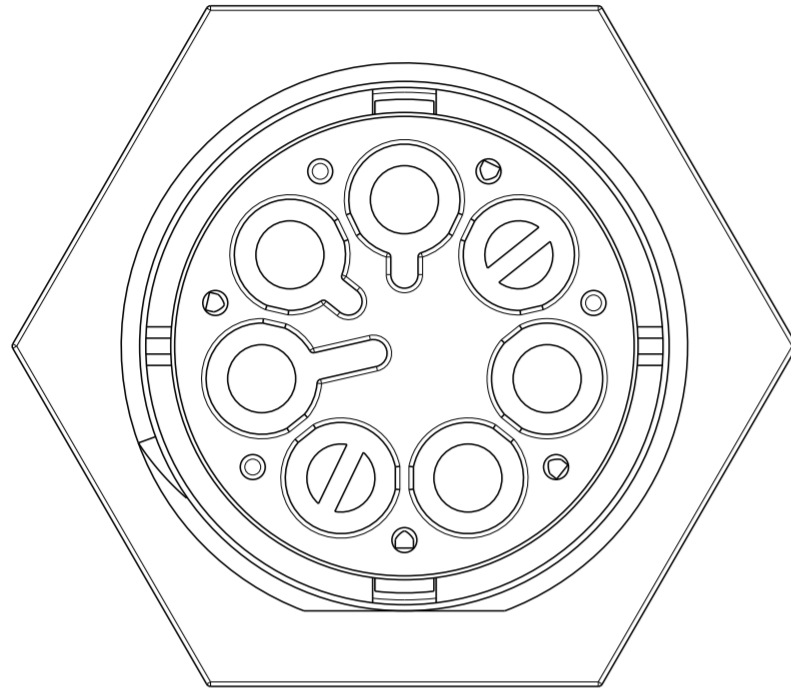
THIS DRAWING IS A CONTROLLED DOCUMENT.		DWN M. ZUCCA 01APR2011	TE Connectivity			
DIMENSIONS: mm		CHK M. ZUCCA 01APR2011				
TOLERANCES UNLESS OTHERWISE SPECIFIED:		APVD G. TURCO 01APR2011				
	0 PLC ±	PRODUCT SPEC	NAME PIN HOUSING PANEL MOUNT			
	1 PLC ±0.3	-	NECTOR* M-LINE 5 POLES			
MATERIAL		APPLICATION SPEC	SIZE	CAGE CODE	DRAWING NO	RESTRICTED TO
FINISH		WEIGHT	A20779		C-293688	-
Customer Drawing			SCALE 3:1	SHEET 1 OF 3	REV A	

THIS DRAWING IS UNPUBLISHED. RELEASED FOR PUBLICATION 2011
 © COPYRIGHT 2011 ALL RIGHTS RESERVED.

LOC	DIST	REVISIONS			
P	LTR	DESCRIPTION	DATE	DWN	APVD
		SEE SHEET 1			

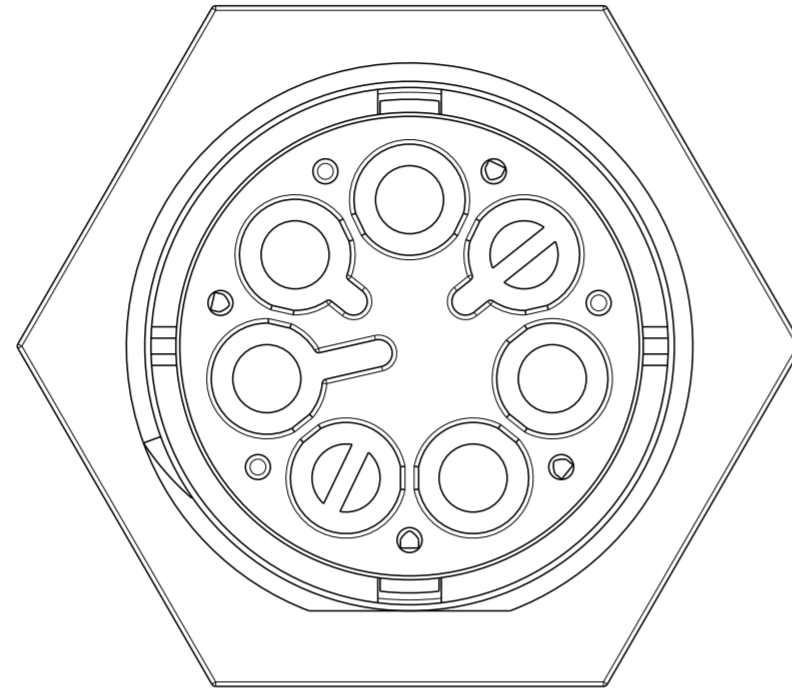
POLARIZATION TYPES

POLARIZATION TYPE "A"



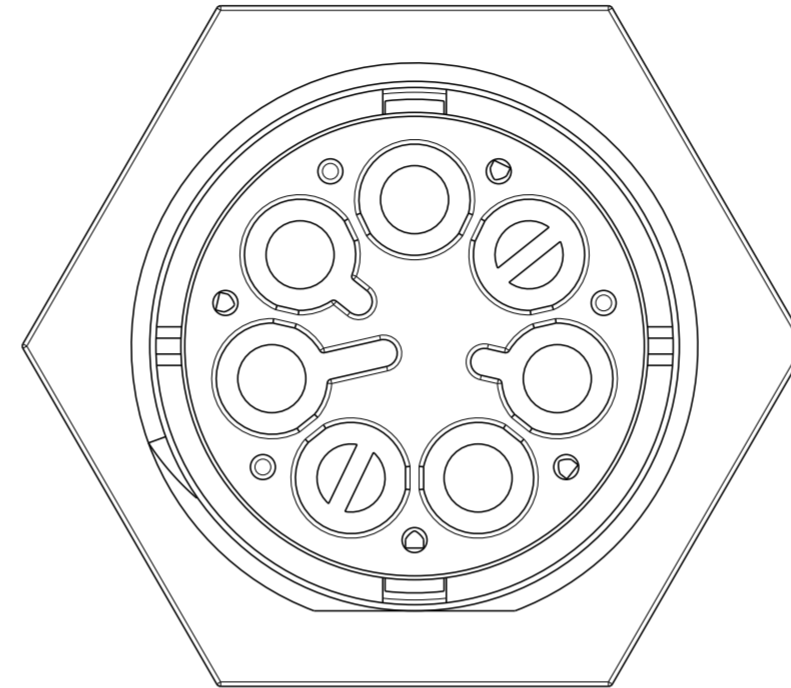
PNs 0-293688-1 AND
1-293688-1

POLARIZATION TYPE "B"



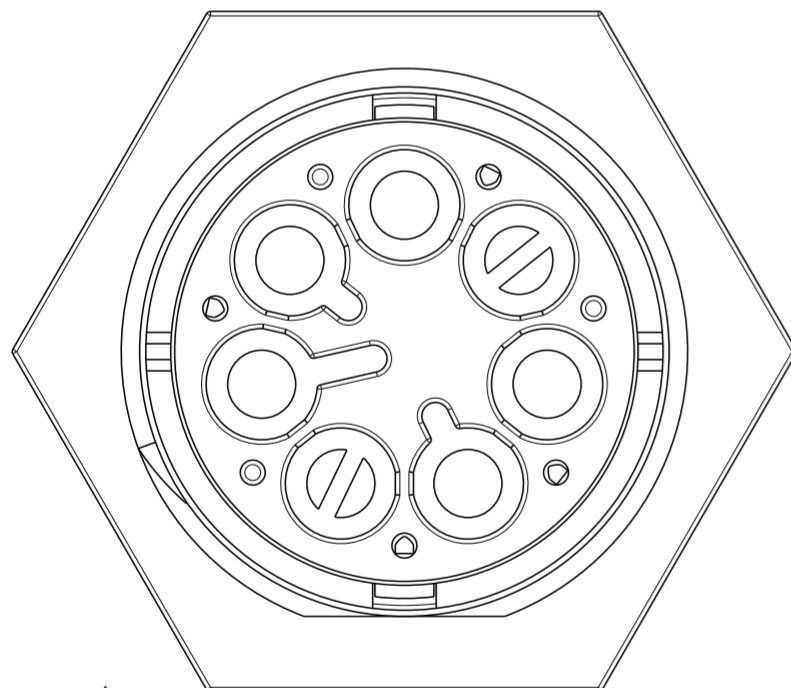
PNs 0-293688-2 AND
1-293688-2

POLARIZATION TYPE "C"



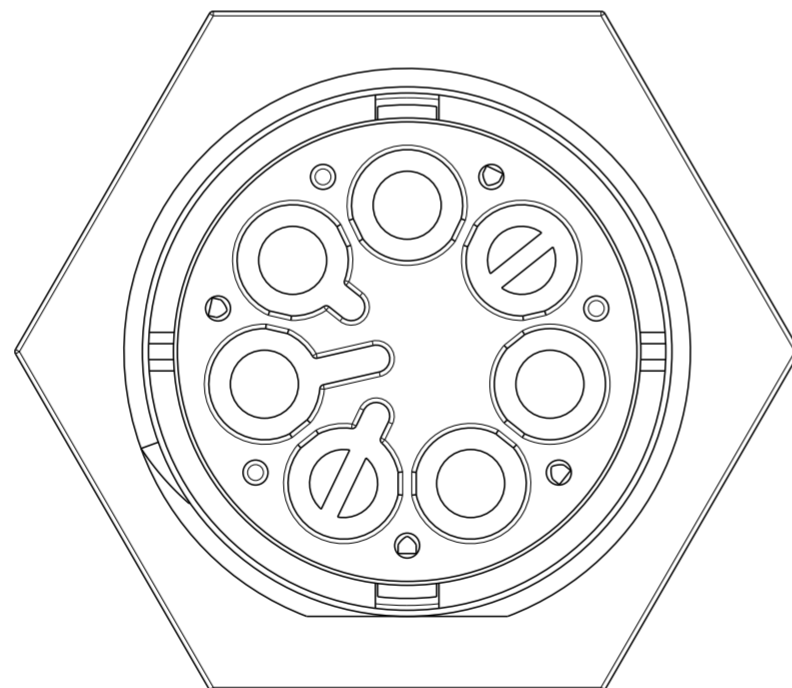
PNs 0-293688-3 AND
1-293688-3

POLARIZATION TYPE "D"



PNs 0-293688-4 AND
1-293688-4

POLARIZATION TYPE "E"



PNs 0-293688-5 AND
1-293688-5

TABLE 1

NOTE	POL. KEYING	COLOUR	DESCRIPTION	REV.	P/N
	E	BLACK	PIN HSG 5 POLES PANEL MOUNT NECTOR* M-LINE	A	1-293688-5
	D	BLACK	PIN HSG 5 POLES PANEL MOUNT NECTOR* M-LINE	A	1-293688-4
	C	BLACK	PIN HSG 5 POLES PANEL MOUNT NECTOR* M-LINE	A	1-293688-3
	B	BLACK	PIN HSG 5 POLES PANEL MOUNT NECTOR* M-LINE	A	1-293688-2
	A	BLACK	PIN HSG 5 POLES PANEL MOUNT NECTOR* M-LINE	A	1-293688-1
	E	NATURAL	PIN HSG 5 POLES PANEL MOUNT NECTOR* M-LINE	A	0-293688-5
	D	NATURAL	PIN HSG 5 POLES PANEL MOUNT NECTOR* M-LINE	A	0-293688-4
	C	NATURAL	PIN HSG 5 POLES PANEL MOUNT NECTOR* M-LINE	A	0-293688-3
	B	NATURAL	PIN HSG 5 POLES PANEL MOUNT NECTOR* M-LINE	A	0-293688-2
	A	NATURAL	PIN HSG 5 POLES PANEL MOUNT NECTOR* M-LINE	A	0-293688-1

THIS DRAWING IS A CONTROLLED DOCUMENT.

DWN: M. ZUCCA 01APR2011
 CHK: M. ZUCCA 01APR2011
 APVD: G. TURCO 01APR2011

STE TE Connectivity

NAME: PIN HOUSING PANEL MOUNT
NECTOR* M-LINE 5 POLES
UNSEALED VERSION

SIZE: A2 CAGE CODE: 0779 DRAWING NO: C-293688 RESTRICTED TO: -

MATERIAL: - FINISH: - WEIGHT: -

Customer Drawing SCALE 3:1 SHEET 2 OF 3 REV A

THIS DRAWING IS UNPUBLISHED. RELEASED FOR PUBLICATION 2011
 © COPYRIGHT 2011 ALL RIGHTS RESERVED.

LOC		DIST		REVISIONS			
P	LTR	DESCRIPTION	DATE	DWN	APVD		
-	-	SEE SHEET 1	-	-	-		



PANEL/WALL SUGGESTED LAYOUT



THIS DRAWING IS A CONTROLLED DOCUMENT.		DWN M. ZUCCA 01APR2011	TE Connectivity	
DIMENSIONS: mm		CHK M. ZUCCA 01APR2011		
TOLERANCES UNLESS OTHERWISE SPECIFIED:		APVD G. TURCO 01APR2011	NAME PIN HOUSING PANEL MOUNT NECTOR* M-LINE 5 POLES UNSEALED VERSION	
0 PLC ± 1 PLC ±0.3 2 PLC ±0.20 3 PLC ± 4 PLC ±		PRODUCT SPEC -	SIZE A200779	
ANGLES ±3°		APPLICATION SPEC -	CAGE CODE C-293688	
FINISH		WEIGHT -	DRAWING NO -	
MATERIAL -		Customer Drawing		RESTRICTED TO -
		SCALE 3:1		SHEET 3 OF 3
				REV A